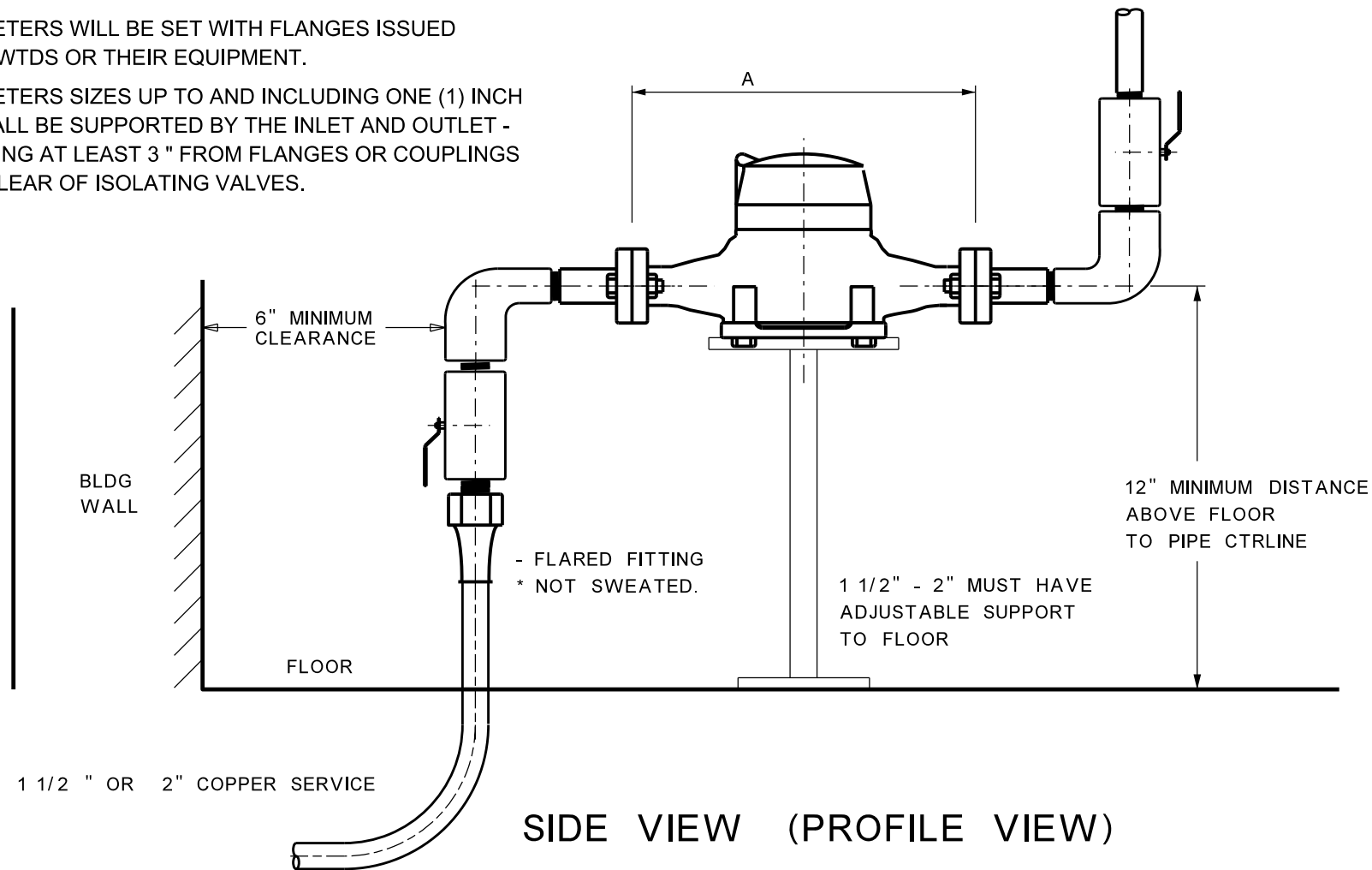


1 1/2" & 2" POSITIVE DISPLACEMENT METER SET

METER SIZE	DIMENSION "A"
1 1/2" METER	13"
2" METER	17"

- WIDTH OF REQUIRED GASKETS MUST BE TAKEN INTO ACCOUNT FOR ALL DIMENSIONS.
- METERS WILL BE SET WITH FLANGES ISSUED BY WTDS OR THEIR EQUIPMENT.
- METERS SIZES UP TO AND INCLUDING ONE (1) INCH SHALL BE SUPPORTED BY THE INLET AND OUTLET PIPING AT LEAST 3" FROM FLANGES OR COUPLINGS & CLEAR OF ISOLATING VALVES.



SIDE VIEW (PROFILE VIEW)

NOTE :

- FLARED FITTINGS OR NATIONAL PIPETHREAD BRASS FITTINGS; NOTHING SWEATED UP TO OUTLET FLANGE.
- ALL METERS SHALL BE VALVED AT THE INLET AND AT THE OUTLET OF THE METER IN SUCH A MANNER THAT THE METER MAY BE EASILY REMOVED.
- METER VALVES SHALL BE GATE VALVES MEETING FEDERAL SPECIFICATION WW-54D (LATEST REVISION) OR BALL VALVES MEETING FEDERAL SPECIFICATION WW-35B (LATEST REVISION) - HAVING FULL PORT OPENING THAT IS THE SAME DIAMETER AS THE INSIDE PIPE DIAMETER OR APPROVED EQUAL.
- THE HEIGHT OF THE CENTERLINE ON INLET AND OUTLET PIPING ABOVE FLOOR FOR ALL METERS WILL BE TWELVE (12) INCHES TO THIRTY SIX (36) INCHES.
- PLUMBING MATERIALS USED AFTER THE OUTLET VALVE MUST ADHERE TO CITY STANDARD INSIDE BLDG CODES (COPPER, BRASS, PVC, CAST IRON, PEX).
- GALVANIZED MATERIALS ARE NOT PERMITTED.
- WHENEVER CONDITIONS EXISTS THAT PREVENT THE READING, REMOVAL OR SETTING OF A WATER METER, THE PERSON OR PERSONS WHOSE NAME APPEARS ON THE CURRENT BILLING RECORDS SHALL BE MAILED A NOTICE TO CORRECT SUCH CONDITIONS. UNLESS THE CONDITIONS ARE CORRECTED WITHIN FIFTEEN (15) DAYS THE CITY SHALL CAUSE THE WATER TO BE SHUT OFF AND THE WATER TO REMAIN OFF UNTIL THE CONDITIONS ARE CORRECTED AND ALL FEES AND COSTS ARE PAID.
- WHENEVER A WATER SERVICE TO A BUILDING IS REPLACED, THE WATER METER SHALL BE INSTALLED IN ACCORDANCE WITH THE PROVISIONS OF THIS ARTICLE. (98-Or-134, \$1,11-13-98; 2012-Or-076, \$ 53, 11-16-12)
- IF YOU NEED TO PURCHASE REPLACEMENT COUPLINGS SEE ROCK ROGERS @ WATER ADMINISTRATION PUBLIC SERVICE CTR 250 4TH ST S. -RM 206



DRW: ATX DATE: 12/8/16
 APP: CD DATE: 12/8/16

POSITIVE DISPLACEMENT
 METER SET

STANDARD
 PLATE
 NO.
 WATR-6005

NOT TO SCALE