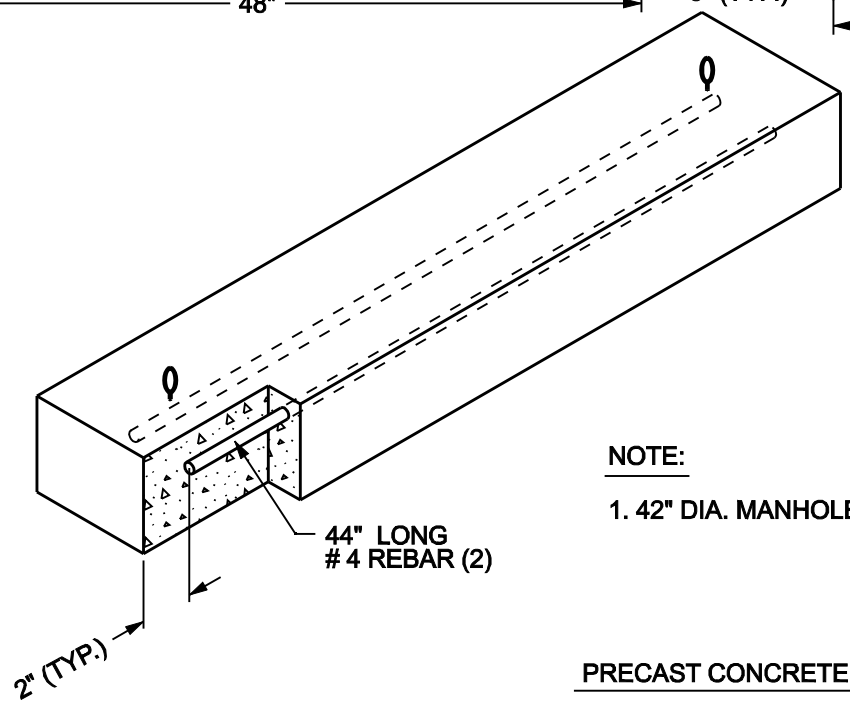
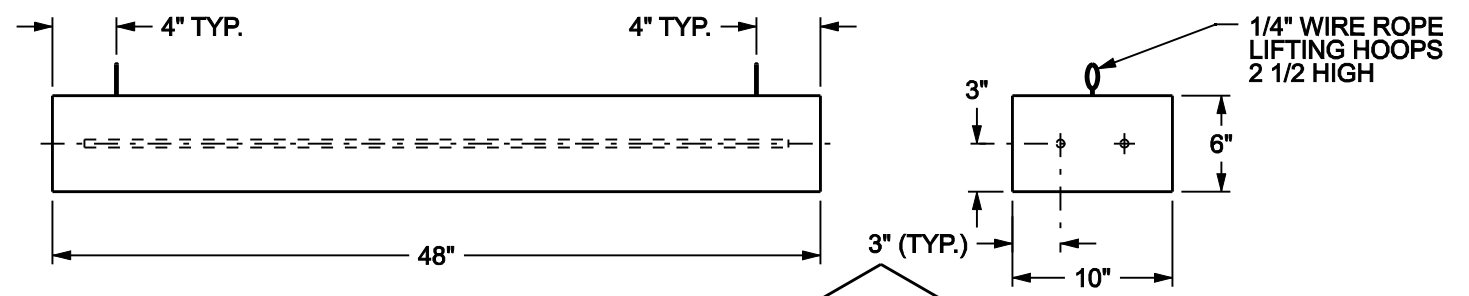
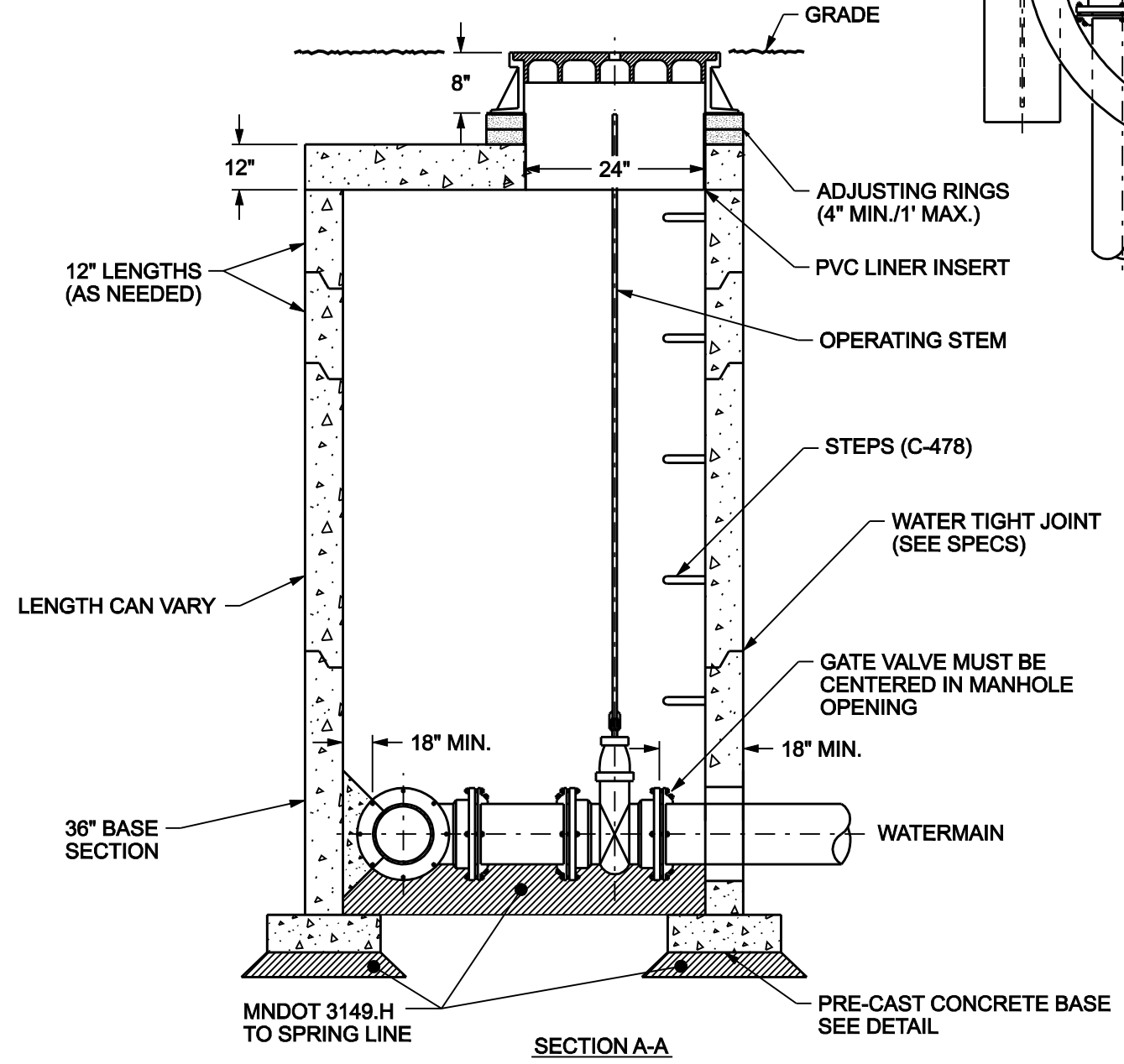
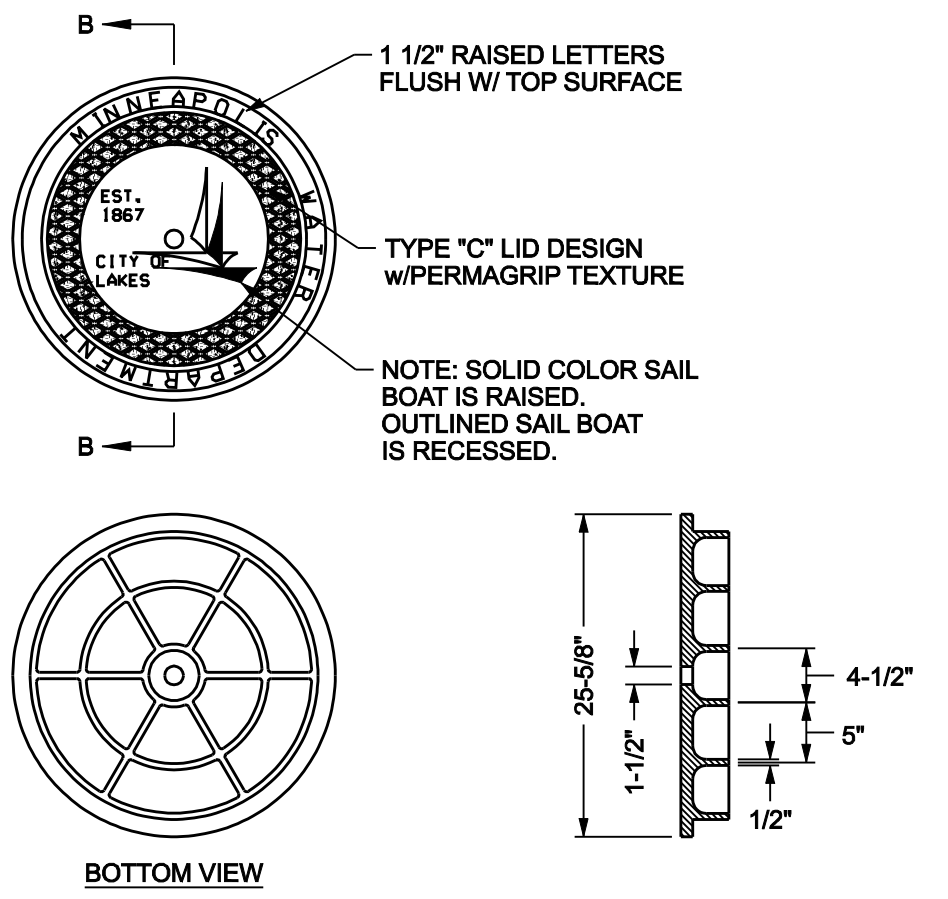
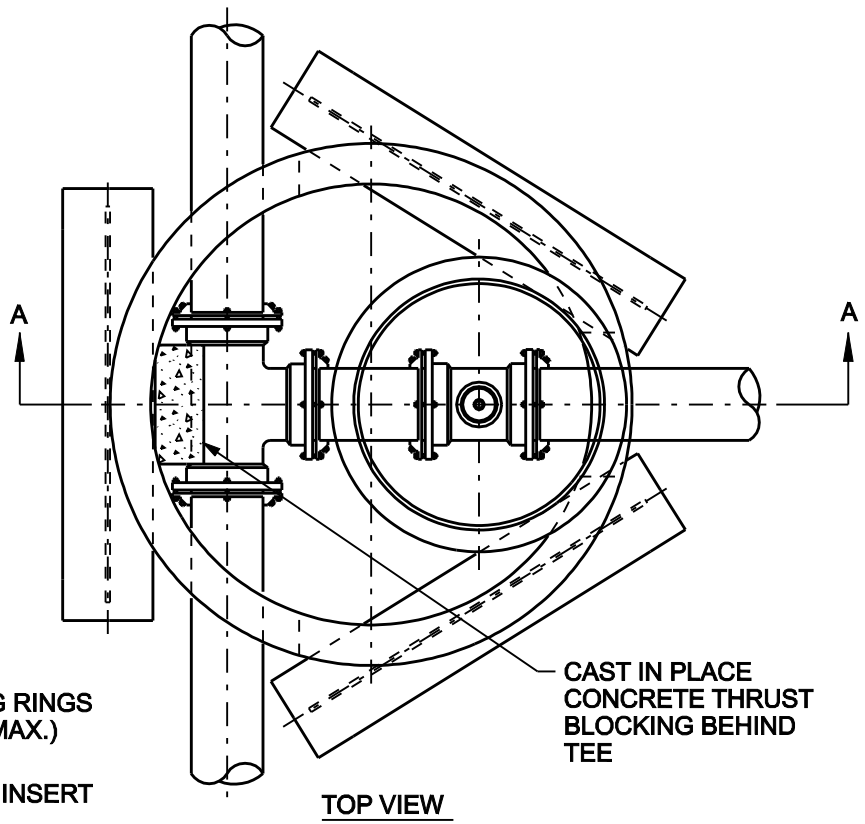


SIZING CHART			
WATERMAIN SIZE (IN.)	MANHOLE (1) DIA. (IN.)	WALL CUT-OUTS	
		H	W
6	48	16	16
8	48	16	16
12	48	16	16
16	48	24	24
24	60	AS REQUIRED	
36	ENGINEERING REQUIRED		
48	ENGINEERING REQUIRED		



NOTE:
1. 42\"/>

	DRW: JAS	DATE: 2/22/16	STANDARD MANHOLE STANDARD PLATE NO. WATR-3000
	APP: CMD	DATE: 2/22/16	

NOT TO SCALE